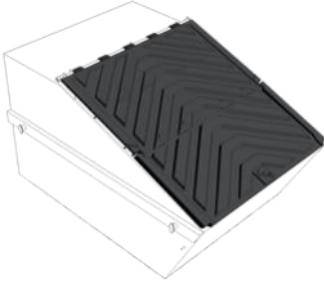


SETR7035-48 LID SET INCL. HARDWARE

FOR REL CONTAINERS AND SKIPS.

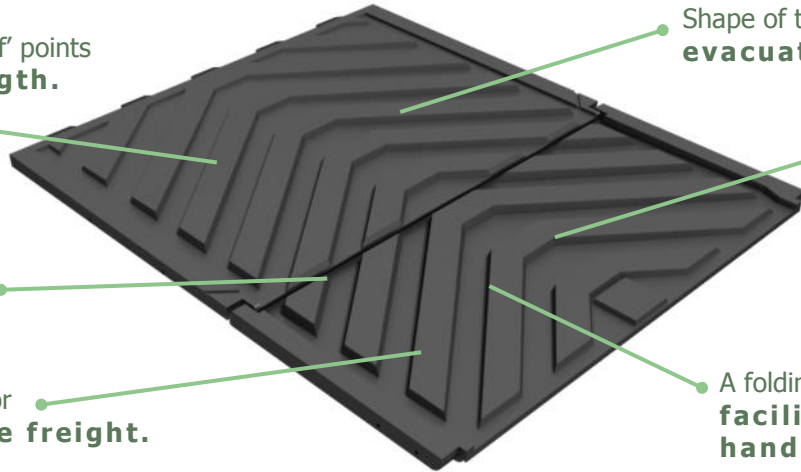
LIGHTWEIGHT - ROBUST - USER FRIENDLY - COST EFFICIENT



Multiple ribs and 'kiss-off' points for optimal strength.

Watertight due to overlapping sections.

Nestable design for cost-effective freight.



Shape of the ribs helps evacuation of rain water.

Front lid can be opened independently for easy access.

A folding pair of lids to facilitate opening and handling.

2 sectional lid set fully built up with steelwork.

STEELWORK CONSISTS OF:

- fully welded attached framework to the pair of lids
- and includes hinge rods, chain and handle.

OPTIONS

> also available without steelwork (RJ7035 - RK7048 lid pair)

MATERIAL

> Rotationally moulded from UV - stabilized LMDPE; double-walled; oil, chemical and frost resistant; 100% recyclable.

COLOURS

> Available in black and a wide variety of colours.



TECHNICAL DIMENSIONS

