



MG4928 PLASTIC LID

TO FIT EUROPEAN 660/770 LTR 4-WHEELED CONTAINERS.

LIGHTWEIGHT - ROBUST - USER FRIENDLY - COST EFFICIENT



3 hinge lugs designed for extra strength.

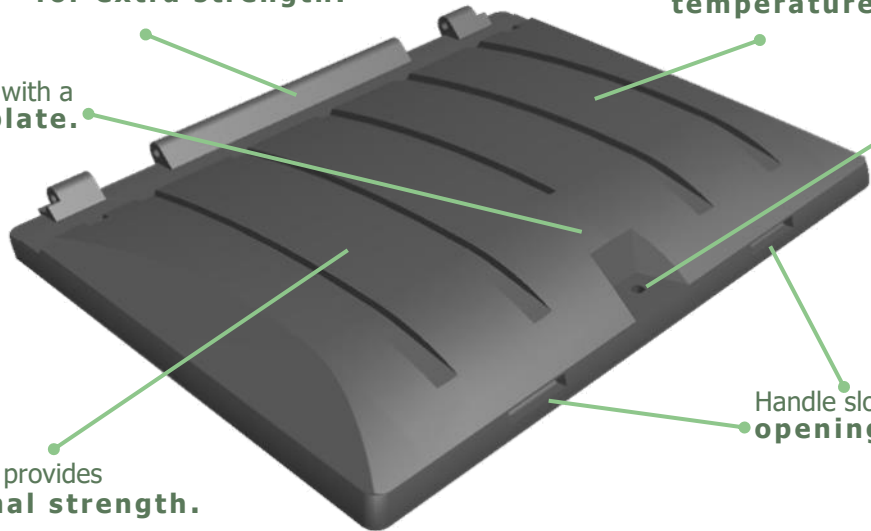
High dome resists sagging in temperatures up to 50°C.

Can be personalised with a custom name plate.

Equipped to accept patented CCE lock for security.

Deep ribbing provides exceptional strength.

Handle slots for easy opening and closing.



TECHNICAL DIMENSIONS

AVAILABLE ACCESSORIES

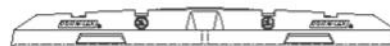
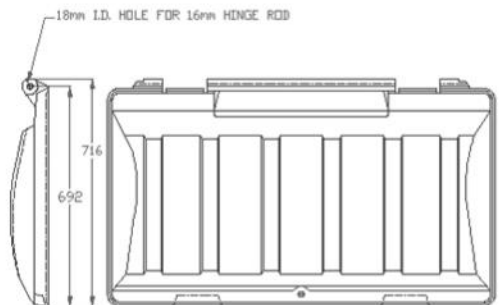
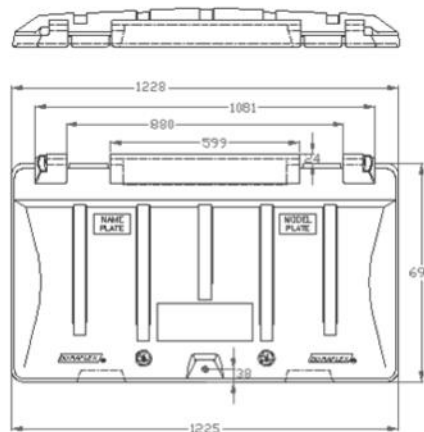
> Locks.

MATERIAL

> Rotationally moulded from **UV-stabilized LMDPE**; double-walled; oil, chemical and frost resistant; **100% recyclable**.

COLOURS

> Available in **black** and a **wide variety of colours**.



enq@duraflexlids.co.uk — 0044 1246 853696

www.duraflexlids.co.uk



ISO 9001 : 2015
ISO 14001 : 2015

Cert No. 8998