



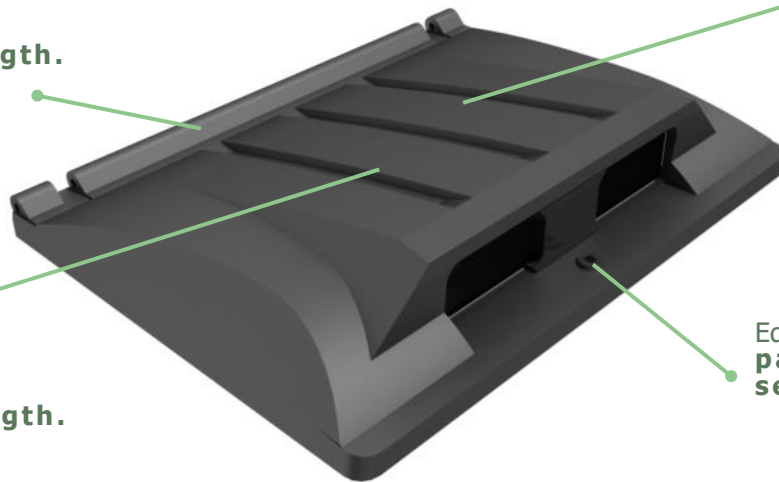
## ME4937RM-BSA RECYCLING LID

WITH BRUSHES. FOR 4 WHEELED 1100 LTR. CONTAINERS

*LIGHTWEIGHT - ROBUST - USER FRIENDLY - COST EFFICIENT*

3 large hinge lugs for optimal strength.

High dome and deep ribbing provide exceptional strength.



Sloped form to assist water draining.

Equipped to accept patented CCE lock for security.

With brushes for bottles / cans.

To fit Taylor Continental Mk2, Sellers Eurobin, Spider UK & Otto 1100 ltr. metal containers.

### OPTIONS

> Also available with a rubber flap for paper (ME4937RM-FLA).

### AVAILABLE ACCESSORIES

> hinge bar, brackets & locks.

### MATERIAL

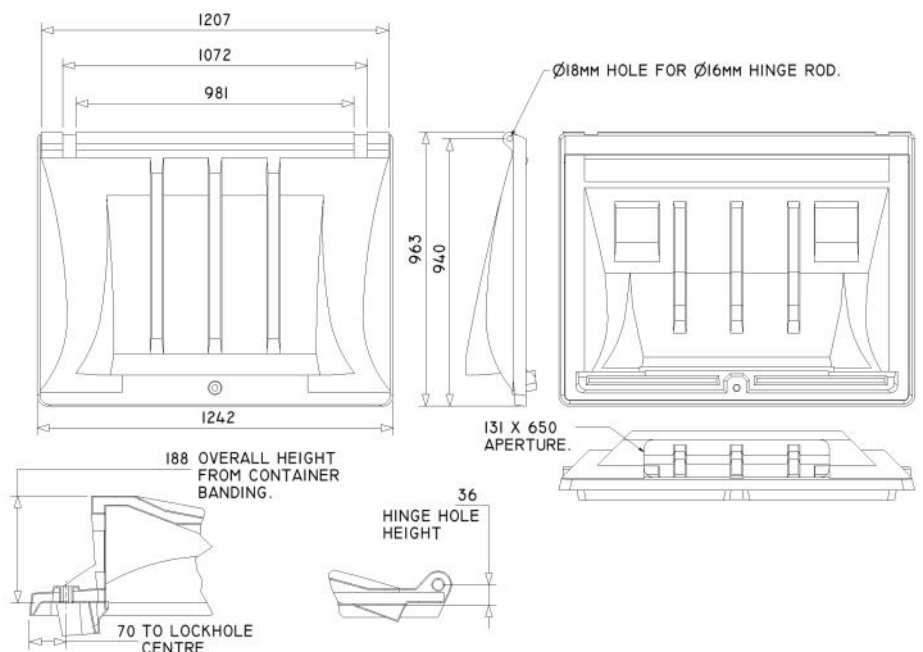
> Rotationally moulded from UV - stabilized LMDPE; double-walled; oil, chemical and frost resistant; 100% recyclable.

### COLOURS

> Available in black and a wide variety of colours.



## TECHNICAL DIMENSIONS



enq@duraflexlids.co.uk — 0044 1246 853696

www.duraflexlids.co.uk



ISO 9001 : 2015  
ISO 14001 : 2015

Cert No. 8998